

继电器配套底座 Relay Matching Base

CE

CCC

RoHS

IEC:61984



特性 Product features


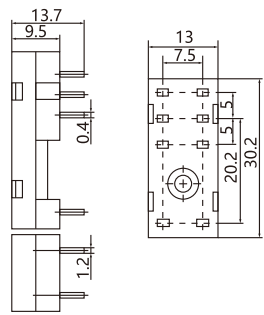
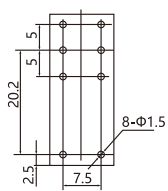

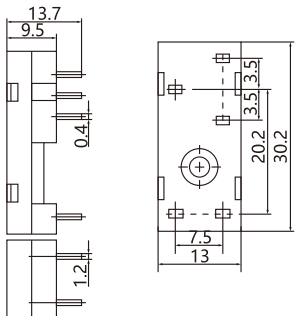
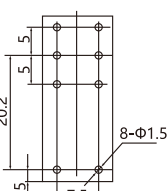
- 绝缘电阻1000MΩ
Insulation resistance 1000MΩ
- 带手指保护功能
With finger protection
- PCB式、螺钉式、导轨式安装形式可供选择
PCB type, screw type, DIN rail mounting form are available
- 多款插入式模块可供选择，实现通电指示，线路保护功能
A variety of plug-in modules are available to realize power-on indication and line protection functions
- 可选配件：卡簧、标记牌、插入式模块
Optional accessories: circlips, marker plates, plug-in modules
- 外壳采用PA66+G20环保阻燃尼龙
The shell adopts PA66+G20 environmentally friendly flame retardant nylon


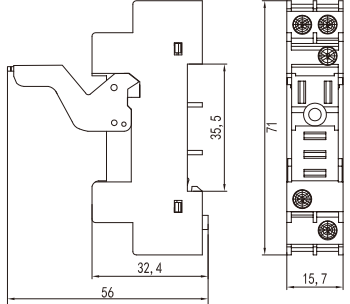
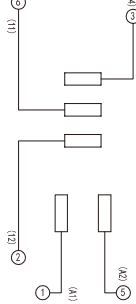

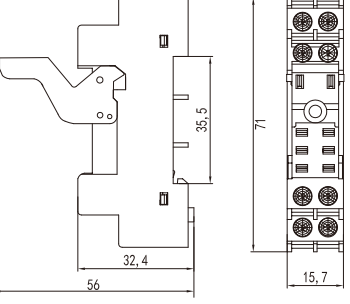
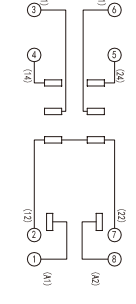

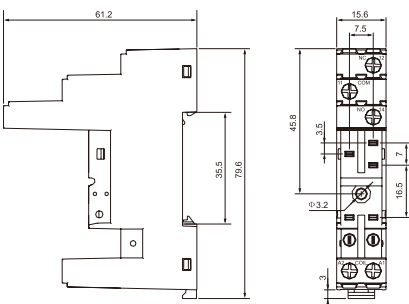
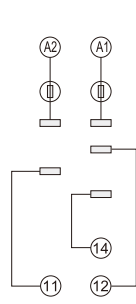

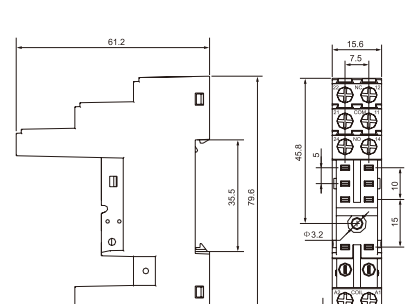
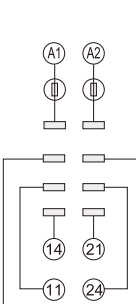
性能参数 Performance Parameter

型号 Model	额定电压 Rated Voltage	额定电流 Rated Current	环境温度 Ambient Temperature	介电耐压 Dielectric Strength	插拔寿命 Plug-in life	螺钉扭矩 Screw Torque	外接导线 Size Of Wire	插片材料 Insert material	重量 Weight
14F-1Z-A1	250VAC	12A	-35°C~70°C	2000VAC	10000	/	/	磷铜	约32g
14F-1Z-A1X	250VAC	12A	-35°C~70°C	2000VAC	10000	/	/	磷铜	约33.45g
14F-1Z-A3	250VAC	12A	-35°C~70°C	2000VAC	10000	/	/	磷铜	约37.63g
14F-1Z-C2	250VAC	12A	-35°C~70°C	2000VAC	10000	0.8-1.0N.m	7mm	磷铜	约39.46g
14F-1Z-C3	250VAC	12A	-35°C~70°C	2000VAC	10000	0.8-1.0N.m	7mm	磷铜	约39.46g
14F-2Z-A1	250VAC	8A	-35°C~70°C	2000VAC	10000	/	/	磷铜	约32g
14F-2Z-A1X	250VAC	8A	-35°C~70°C	2000VAC	10000	/	/	磷铜	约33.45g
14F-2Z-A3	250VAC	8A	-35°C~70°C	2000VAC	10000	/	/	磷铜	约37.63g
14F-2Z-C2	250VAC	8A	-35°C~70°C	2000VAC	10000	0.8-1.0N.m	7mm	磷铜	约39.46g
14F-2Z-C3	250VAC	8A	-35°C~70°C	2000VAC	10000	0.8-1.0N.m	7mm	磷铜	约39.46g

外形图、接线图，安装孔尺寸 Outline drawing, wiring diagram, mounting hole size

单位: mm

底座 Base	外形尺寸 Form Factor	接线图 Wiring Diagram	可选配件 Optional Accessories
<p>14F-1Z-A1</p> 			<p>挂钩 RY-15G RY-20G RY-25G</p>
<p>14F-1Z-A1X</p> 			<p>挂钩 RY-15G RY-20G RY-25G</p>

底座 Base	外形尺寸 Form Factor	接线图 Wiring Diagram	可选配件 Optional Accessories
<p>14F-1Z-C2</p> 			
<p>14F-2Z-C2</p> 			
<p>14F-1Z-C3</p> 			
<p>14F-2Z-C3</p> 			

相关配件可选 Related accessories are available

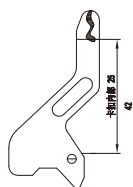
单位: mm

挂钩 Hooking

连接条 Connection Strips



RYA3-15G



RYA3-25G